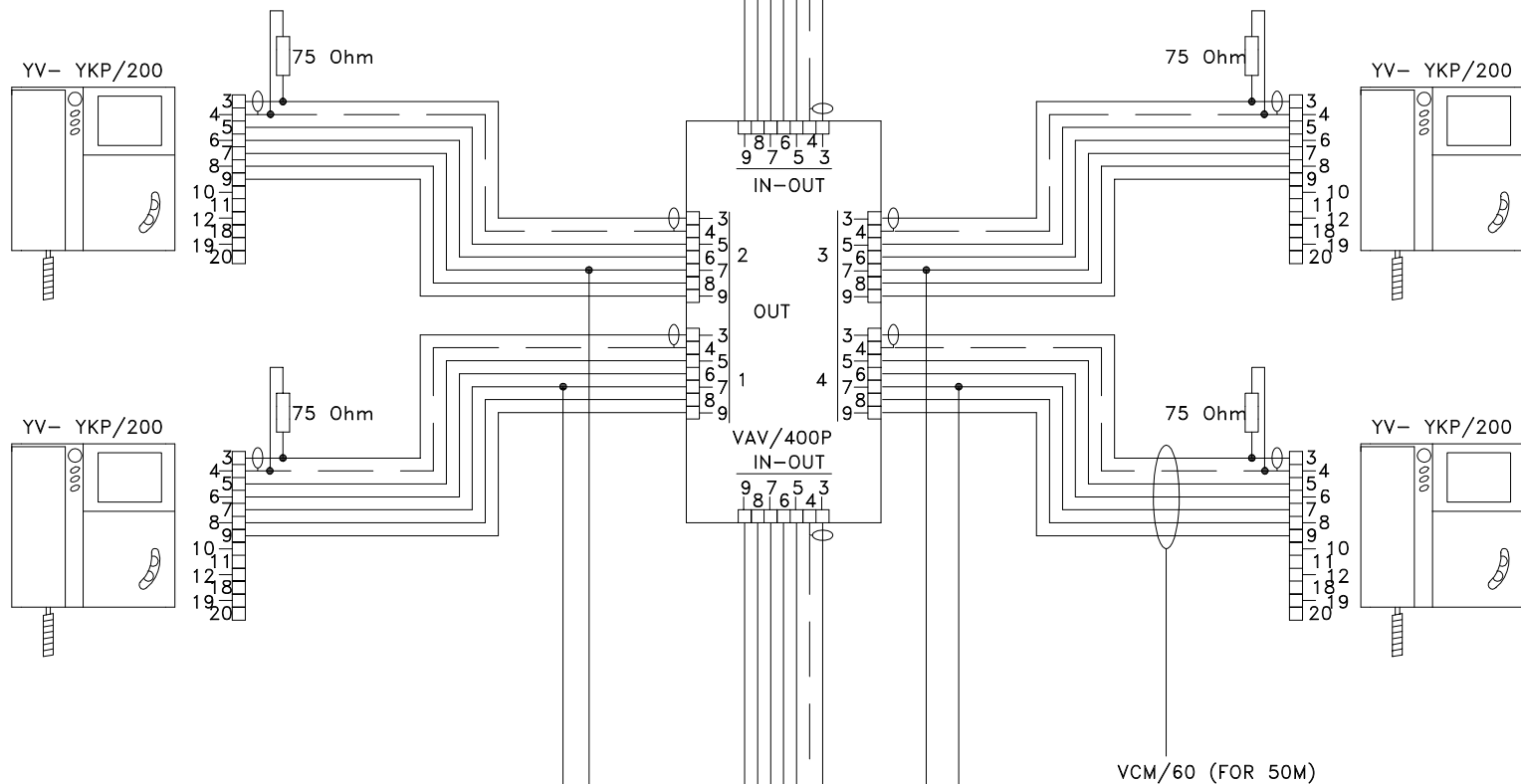


75 Ohm ENSURE LAST VAV/400P IN/OUT BLOCK HAS A 75 Ohm RESISTOR FITTED ACROSS TERMINALS 3 & 4.

TO FURTHER MONITORS AND CD/204 AS REQUIRED

9 8 7 6 5 4 3

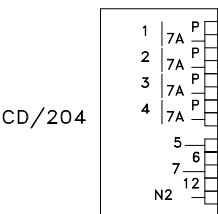
NOTE: ADD EXTRA VAS100 PSU AFTER THE FIRST 16 MONITORS. ADD AN EXTRA VAS100 PSU FOR EVERY FURTHER 28 MONITORS ON THE SYSTEM AS SHOWN.



NOTE: THIS DRAWING INDICATES AND ASSUMES THE USE OF BPT COMPOSITE CABLES OR A SUITABLE EQUIVALENT.

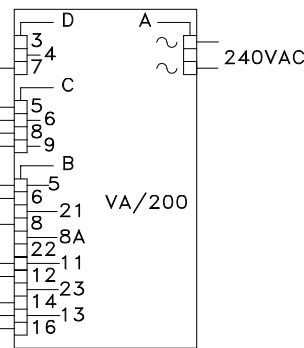
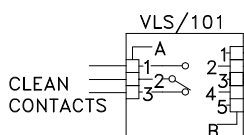
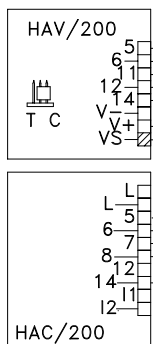
ENSURE ALL ADDITIONAL CONNECTIONS ARE A MINIMUM OF 0.5MM CSA PARALLEL CONDUCTORS.

INCORRECT CABLE SPEC CAN CAUSE DIGITAL SIGNALING PROBLEMS.



VCM60

VCM130 (FOR 150M)



NOTE: CABLE EQUIVALENTS

VCM/130 = RG59 COAX + 4 CORES @ 1.0MMSQ + 8 CORES @ 0.5MMSQ  
VCM/60 = RG59 COAX + 2 CORES @ 1.0MMSQ + 3 CORES @ 0.5MMSQ

BPT (UK) LTD.  
HERTS. ENGLAND

PREPARED FOR  
INSTALLER INFORMATION

DATE: 08/04/04

DRAWN: RC

REVISED:

DRAWING TITLE:

1 X DIGITAL TARGHA MONOCHROME VIDEO ENTRY PANEL  
& LYNEA VIDEO MONITORS

DRAWING No: B-XT1YNC